

BEFORE YOU BEGIN

开始之前

- Congratulation on your purchase of this high quality Bathroom Accessory. Before proceeding with the installation, please carefully read this installation instruction in order to ensure proper care and assembly of this accessory.
- Please keep this installation instruction for future reference.
- This product is considered ADA compliant when located and mounted into a structural support per ADA guidelines. Refer to ADA guidelines before installing this product.
- The appearance of your product may differ from the illustration. The installation instructions still apply.
- Observe all local plumbing codes and building codes.
- Kohler Co. reserves the right to make revisions in the design of products without notice, as specified in the Price Book.
- 首先恭喜您购买到了高档的卫浴产品，为了使您正确保护和组装产品，在您安装之前请仔细阅读此说明书。
- 请保留此说明书以备参考。
- 该产品根据ADA指导原则安装入结构型支撑物时，可认为是与ADA的原则相符的。请在安装该产品之前参照ADA指导原则。
- 产品外观可能与图释相异，但安装说明仍可适用。
- 遵循所有当地的管道和建筑规定。
- 科勒公司保留不经事先通知而更改产品设计的权利，这在产品价目表中已说明。



Prior to drilling into walls, check there are no hidden electrical wires, cables or water supply pipes with the aid of an electronic detector. If you use power tools do not forget:

1. Wear eye protection.
2. Unplug equipment after use.



警示：在钻孔之前，请借助电子探测仪确认墙内是否有电源线，通讯光缆或者水管之类的东西。如果使用电钻的话请勿忘记以下两点：

1. 请戴上防护镜。
2. 用完设备后关掉电源。



CAUTION: Risk of property damage.

For installation to ceramic tile: Apply light, even pressure to avoid cracking the tile. Use a 6mm drill bit to drill through the tile.

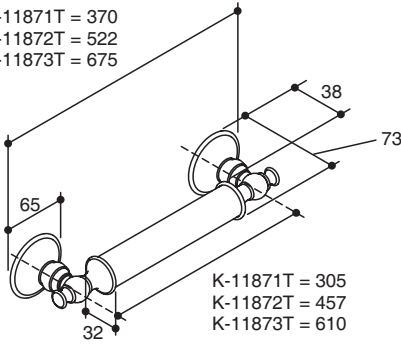


注意：财产损失的风险。安装于瓷砖时：用力小而均匀，以避免瓷砖爆裂。用一个6mm的钻头进行钻孔。

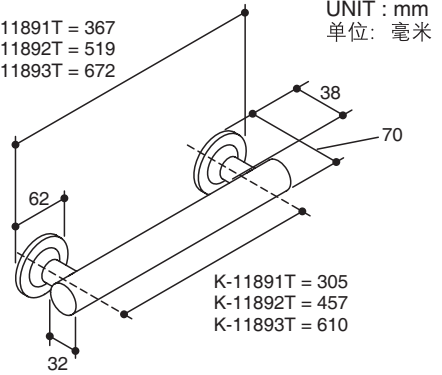
ROUGHING-IN

尺寸图

K-11871T = 370
K-11872T = 522
K-11873T = 675



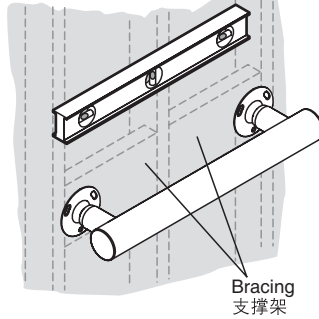
K-11891T = 367
K-11892T = 519
K-11893T = 672



INSTALLATION

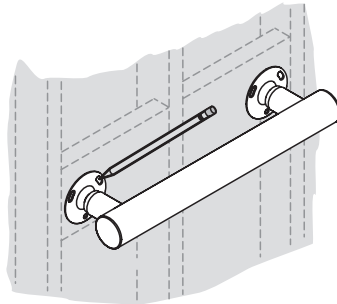
安装步骤

1. Place grab bar or template in desired position. 1. 将扶手或模版放在合适的位置，如有需要，可置于水平位置。



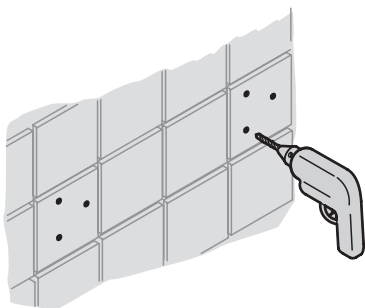
2. Mark 3 holes on each wall plate. 2. 在每个挂墙支架上标3个孔。

Note: Proceed to step 4 if installing to drywall. 注意：如果是安装于清水墙时，直接跳至步骤4。



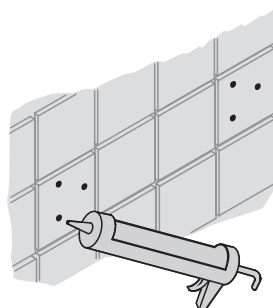
3. Ceramic Tile

- Drill through ceramic tile only using 6mm bit.
- Apply silicone sealant into 6 drilled holes.



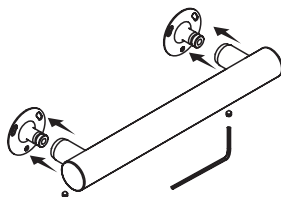
3. 瓷砖

- 仅用6mm的钻头对瓷砖进行钻孔。
- 在6个钻孔中涂上硅胶。



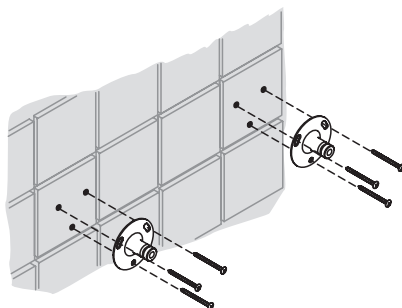
-
4. Loosen the setscrew and remove the wallplate.

4. 松开固定螺丝，移开挂墙支架。



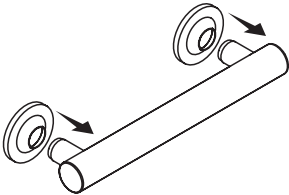
-
5. Secure each wall plate with three (3) screws provided.

5. 用提供的3个螺丝固定每个挂墙支架。



6. Slide the escutcheons onto the grab bar.

6. 将装饰盖装到扶手上。



7. Slide escutcheons over wall plates. Secure the grab bar in place with the setscrews provided.

7. 将装饰盖移至挂墙支架。用提供的固定螺丝固定扶手。

